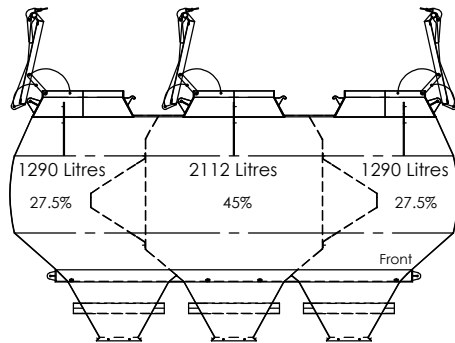
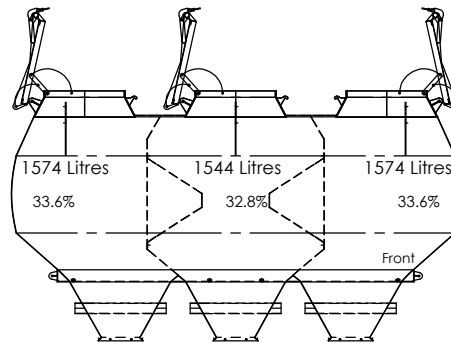


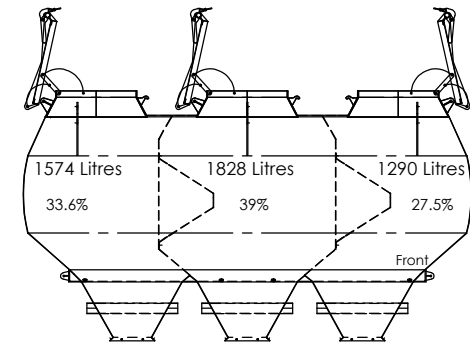
DO NOT SCALE - IF IN DOUBT ASK



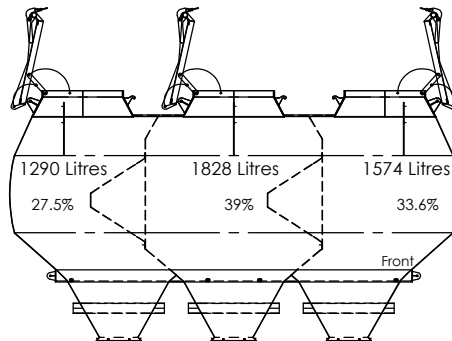
Split 1



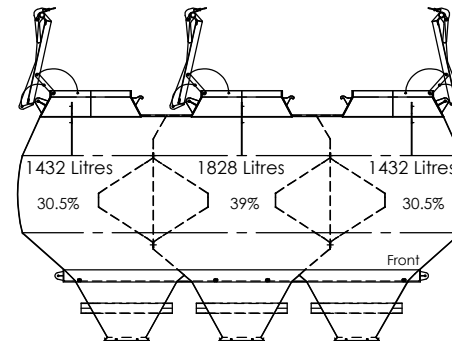
Split 2



Split 3



Split 4



Split 5

(One Dividers each way in each Bin Compartment)

4500 Triple Bin

Total Usable Volume Given
A Repose angle of 25° is
4692 Litres

Fabrication Note

Finish:

General Tolerances

Linear Dimensions

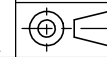
- X ±1mm (whole numbers)
- X.X ±0.5mm (one decimal place)
- X.XX ±0.25mm (two decimal places)

Angular Dimensions

All Angles ±2°

This drawing is the property of
Simplicity (Australia) Pty. Ltd.
It must not be used for any
purpose other than that for
which it is supplied.
Reproduction in whole or
part is prohibited without
written authority from
Simplicity (Australia) Pty. Ltd.

DRN: MT
DATE: 16/06/2009
APPRD:
DATE: / /
SCALE: 1:42.2



SIMPLICITY (AUSTRALIA) PTY LTD
18 LOUDOUN RD DALBY 4405 PH (07) 4662 2977 FAX (07) 4660 6050

TITLE
**Simplicity Airseeders
Bin Assemblies
4500 Triple Bin Splits**

DRAWING NUMBER
4500 Triple Bin Splits REV 00 SHEET 1 OF 1 **A4**